


# PRODUCT SHEET

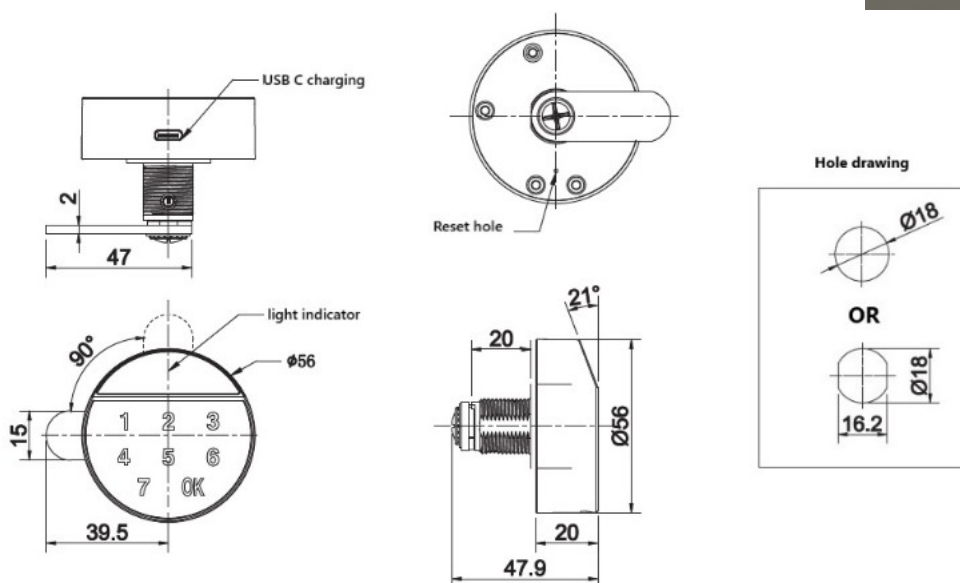
## Description:

Electronic Touch Pad Cam Lock,  $\varnothing 19 \times 20 \text{mm}$ ,  $\varnothing 55 \text{mm}$ , Zamak Knob, Silver/Black, W/USB C Charging Cable, Straight Cam ce: 39,5mm,, 90 Degree Turn, W/Build-in Lithium Battery, Public/Private

## Item number:

14.60.470-0

Units	Box	Carton	HS Code	Barcode
Pcs.			8301300000	
				5704866523226



## SISO A/S

Mileparken 11  
DK-2740 Skovlunde  
Denmark  
VAT: 24786013

Phone +45 45 830 900

[www.siso.dk](http://www.siso.dk)  
[siso@siso.dk](mailto:siso@siso.dk)

Danske Bank  
Nytorv Branch  
Copenhagen  
SWIFT: DABADKKK

Account no.  
4180 3112 112936  
IBAN Account  
DK7230003112112936